

K-No.: 30057

75A Current Sensor

For the electronic measurement of currents:
DC, AC, pulsed, mixed with a galvanic isolation
between the primary circuit (high power) and the
secondary circuit (electronic circuit)



Date: 25.09.2020

Customer: Standard type

Customers Part no:

Page 1 of 4

Description

- Closed loop (compensation) Current Sensor with magnetic probe
- Printed circuit board mounting
- Casing and materials UL-listed

Characteristics

- excellent accuracy
- very low offset current
- very low temperature dependency and offset current drift
- very low hysteresis of offset current
- short response time
- wide frequency bandwidth
- compact design
- reduced offset ripple

Applications

Mainly used for stationary operation in industrial applications:

- AC variable speed drives and servo motor drives
- static converters for DC motor drives
- Battery supplied applications
- Switched Mode Power Supplies (SMPS)
- Power supplies for welding applications
- Uninterruptable Power Supplies (UPS)

Electrical data - Ratings

I_{PN}	Primary nominal RMS current	75	A
V_{OUT}	Output voltage	$V_{REF} \pm (0.4685 \cdot I_P / I_{PN})$	V
V_{OUT}	Output voltage @ $I_P=0A$, $\vartheta_A=25^\circ C$	$V_{REF} \pm 0.000725$	V
V_{REF}	External Reference voltage range	0 ... 4	V
	Internal Reference voltage	2.5 ± 0.005	V
K_N	Transformation ratio	1...5 : 1100	

Accuracy – Dynamic performance data

		min.	typ.	max.	Unit
$I_{P,max}$	Max. measuring range	± 182			A
X	Accuracy @ I_{PN} , $\vartheta_A = 25^\circ C$			0.7	%
ϵ_L	Linearity			0.1	%
$V_{OUT}-V_{REF}$	Offset voltage @ $I_P = 0A$, $\vartheta_A = 25^\circ C$			± 0.725	mV
$\Delta V_O / V_{REF} / \Delta T$	Temperature drift of V_{OUT} @ $I_P=0A$, $V_{REF}=2.5V$, ϑ_A			4	ppm/ $^\circ C$
t_r	Response time		0.3		μs
t_{ra}	Reaction time		0.2		μs
f_{BW}	Frequency bandwidth	DC..200			kHz

General data

ϑ_A	Ambient operation temperature	-40		105	$^\circ C$
ϑ_S	Ambient storage temperature (acc. M3101)	-40		105	$^\circ C$
m	Mass		12		g
V_C	Supply voltage	4.75	5	5.25	V
I_C	Supply current at $I_P = 0A$ and RT		15		mA

$^1)S_{clear}$	Clearance (component without solder pad)	7.5			mm
$^1)S_{creep}$	Creepage (component without solder pad)	7.5			mm
$^1)U_{sys, re}$	System voltage (reinforced insulation)			300	V_{RMS}
$^1)U_{work, re}$	Working voltage (reinforced insulation)			750	V_{RMS}
$^1)U_{PD}$	Rated discharge voltage			1060	V_{PEAK}
$^1)U_{sys, basic}$	System voltage (basic insulation)			600	V_{RMS}
$^1)U_{work, basic}$	Working voltage (basic insulation)			1500	V_{RMS}
	max. Potential Difference acc. to UL 508			600	V_{RMS}

¹⁾ Constructed and manufactured and tested in accordance with IEC 61800-5-1:2007 (primary to secondary)
Insulation material group 1, Pollution degree 2, Overvoltage category III

Date	Name	Issue	Amendment
25.09.2020	DJ	81	Approval received. Marking with UL-sign and other standards changed. Minor change

Editor: R&D-PD NPI D	Designer: MB	MC-PM: NSch.	Release: SB
----------------------	--------------	--------------	-------------

K-No.: 30057

75A Current Sensor

For the electronic measurement of currents:
DC, AC, pulsed, mixed with a galvanic isolation
between the primary circuit (high power) and the
secondary circuit (electronic circuit)



Date: 25.09.2020

Customer: Standard type

Customers Part no:

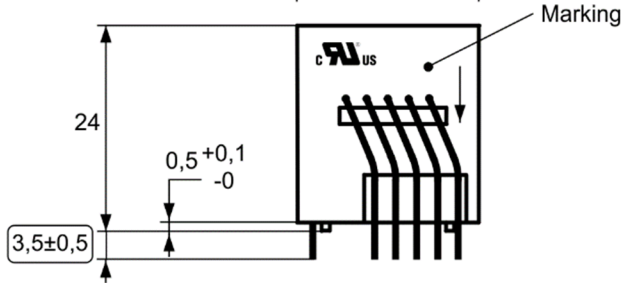
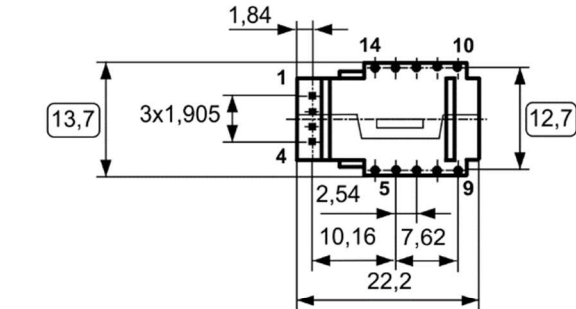
Page 2 of 4

Mechanical outline (mm):

General tolerances DIN ISO 2768-c

Connections:

Pin No. 5-14: $\varnothing 1\text{mm}$
Pin No. 1-4: $0.46 \times 0.46\text{mm}$



Marking

Test dimension

Tolerance of pin distances $\pm 0,25\text{mm}$

DC= Date Code
F = Factory

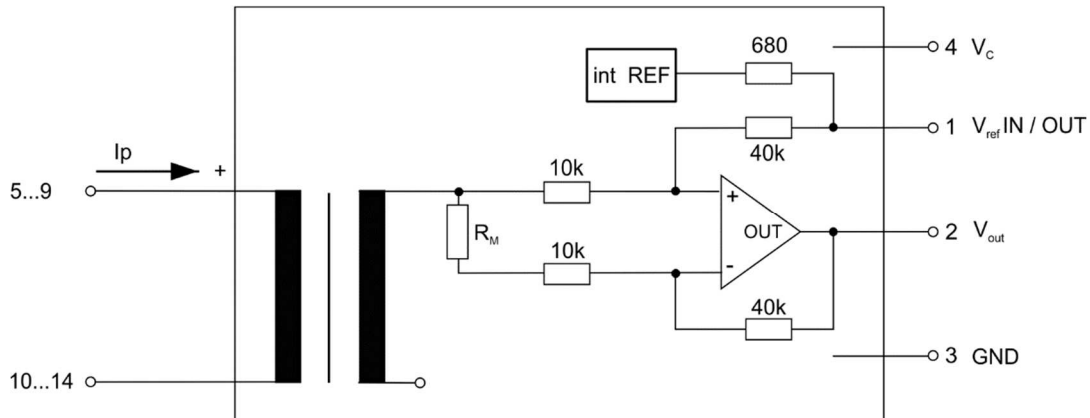
Marking:

VAC UL-sign
4647-P765
F DC

Format DC:
YYWW

Example: 1947
Year 2019, Week 47

Schematic diagram:



K-No.: 30057

75A Current Sensor

For the electronic measurement of currents:
DC, AC, pulsed, mixed with a galvanic isolation
between the primary circuit (high power) and the
secondary circuit (electronic circuit)



Date: 25.09.2020

Customer: Standard type

Customers Part no:

Page 3 of 4

Electrical data: (investigate by a type checking)

		min.	typ.	max.	Unit
$V_{C,tot}$	maximum supply voltage (without function)			7	V
I_c	Supply Current with primary current		$15mA + I_P * K_N + V_{OUT}/R_L$		mA
$I_{OUT,SC}$	Short circuit output current		± 20		mA
R_P	Resistance per primary winding @ $\vartheta_A = 25^\circ C$		1		m Ω
R_S	Secondary coil resistance @ $\vartheta_A = 85^\circ C$			22	Ω
$R_{i,REF}$	Internal resistance of Reference output		680		Ω
$R_{i,Vout}$	Output resistance of V_{OUT}		10		Ω
R_L	External recommended resistance of V_{OUT}	1			k Ω
C_L	External recommended capacitance of V_{OUT}			0.5	nF
$X_{Ti} / \Delta T$	Temperature drift of X @ $\vartheta_A = -40^\circ C \dots 85^\circ C$			40	ppm/K
$\Delta V_O = \Delta(V_{OUT} - V_{REF})$	Sum of any offset drift including:		1.5	3	mV
V_{Ot}	Long term drift of V_O		0.2		mV
V_{OT}	Temperature drift of V_O @ $\vartheta_A = -40^\circ C \dots 85^\circ C$		0.2		mV
V_{OH}	Hysteresis of V_{OUT} @ $I_P = 0A$ (caused by $I_P = 10 \times I_{PN}$)		0.6		mV
$\Delta V_O / \Delta V_C$	Supply voltage rejection ratio		0.15		mV/V
V_{OSS}	Offsetripple (with 1 MHz-Filter, first order)		13		mV _{PP}
V_{OSS}	Offsetripple (with 100 kHz-Filter, first order)		3.5		mV _{PP}
V_{OSS}	Offsetripple (with 20 kHz-Filter, first order)		1.2		mV _{PP}
C_k	Maximum possible coupling capacity (primary - secondary)			10	pF
	Mechanical stress according to M3209/3 Settings: 10-2000Hz, 1min/oct., 2 hours			2	g

Routine Tests: (Measurement after temperature balance of the samples at room temperature, SC=significant characteristic)

$V_{OUT} (SC)$	(100%) M3011/6:	Output voltage	$468.5 \pm 0.7\%$	mV
V_O	(100%) M3226:	Offset voltage	± 0.725	mV
U_d	(100%) M3014:	Test voltage, 1s	1.5	kV _{RMS}
U_{PDE}	(AQL 1/S4)	Partial discharge voltage (extinction)	1.13	kV _{RMS}
$U_{PD} * 1.875$	M3024:		1.41	

Type testing: (Precondition acc. to M3236)

\hat{U}_W	M3064	HV transient test 1.2 μ s / 50 μ s-Waveform 5 pulses -> polarity +, 5 pulses -> polarity -	6	kV
U_d	M3014	Test voltage, 60s	3	kV _{RMS}
U_{PDE}	M3024	Partial discharge voltage (extinction)	1.13	kV _{RMS}
$U_{PD} * 1.875$			1.41	

Other instructions:

- A positive output voltage vs. V_{REF} appears at point V_{OUT} , if primary current flows in direction of the arrow.
- Constructed, manufactured and tested in accordance with IEC 61800-5-1:2007.
- Temperature of the primary conductor should not exceed 105°C.
- Housing and bobbin material UL-listed: Flammability class 94V-0.
- Further standards: UL 508, file E317483, category NMTR2 / NMTR8

Editor: R&D-PD NPI D

Designer: MB

MC-PM: NSch.

Release: SB

K-No.: 30057

75A Current Sensor

For the electronic measurement of currents:
DC, AC, pulsed, mixed with a galvanic isolation
between the primary circuit (high power) and the
secondary circuit (electronic circuit)



Date: 25.09.2020

Customer: Standard type

Customers Part no:

Page 4 of 4

